

# SELLICK

# S SERIES



## ROUGH TERRAIN FORKLIFT



6,000 - 12,000 lb. Capacity

Tier 4 Diesel Engine

Rugged

Dependable

Responsive

 Powered by **T4**  
**ecoMAX**

# S S E R I E S - 6,000, 8,000, 10,000, 12,000 LBS CAPACITIES @ 24" LOAD CENTER

## Standard specifications

The S Series straight mast rough terrain forklift provides optimum operator visibility, safety and comfort while maximizing machine performance. The one-piece frame welded construction offers rugged durability. The isolated, rubber-mounted operator's compartment is designed to reduce noise and vibration. Operators benefit from greater fork visibility and control. All controls and instrumentation are close at hand.

## Engine



### Ecomax T4

74 hp, direct injection, common rail, electronic, 4 cylinder diesel engine exceeds Tier 4 Final compliant emissions standards.

- No Diesel Particulate Filter (DPF) needed. Ultra clean burn technology allows for no Selective Catalyst Reduction (SCR) exhaust aftertreatment.
- Reduced fuel consumption.<sup>1</sup>
- High torque at low speeds (295 ft. lbs @ 1,200 rpm).

## Transmission

Four-speed (3-speed in S120 models) fully synchronized torque converter with power reversing integral parking brake. Optional fully automatic powershift.

## Axles

**Drive:** Pad-mounted rigid planetary axle, torque proportioning four-pinion differential, gears are specially-shaped to transfer torque between wheels. Positive retraction brakes.

**2WD Steer:** Pin-mounted, oscillating axle with sealed tapered roller bearings. Oscillation: 14°

**Optional 4WD Steer:** Outboard planetary with torque proportioning differential. On the go engagement

## Steering

Load sense power steering with hydraulic pump assistance.

**Steer turns:** 4.5 lock to lock.

## Electrical system

**Voltage:** 12 V; alternator: 95A; battery: 1000 CCA.

## Operator compartment

Fully isolated, floating operator's compartment exceeds ANSI/ITSDF B56.6 ROPS/FOPS standard. Adjustable suspension seat with retractable seatbelt, tilt steering column, cup holder, coat hook, latched operator's manual compartment, Operator's Manual, safety decal package.

## Brake system

**Service brake:** Power-assisted braking system with enclosed oil-immersed multi-disc service brakes.

**Parking brake:** Independent parking brake system, mechanical-operated, lever-applied, manually-adjusted caliper, mounted on transmission output shaft.

<sup>1</sup>Up to 10% reduced fuel consumption over T4i Interim engine.

## Instruments



### Multi-function Digital LCD Screen

- Fuel Level
- Engine Coolant Temperature
- System Voltage
- RPM and Hour Meter Reading
- On board diagnostics reduces downtime

Backlighting provides better visibility in dark conditions. Instrument panel swings forward for easy access to fuse panel.

## Hydraulics

Hydraulic system powered by cast iron load sense hydraulic gear pump. A positive-pressure hydraulic tank prevents impurities from entering the system.

Tank capacity: 21 gallons (79 L)

Hydraulic flow rate: 24 gpm @ 2200 rpm

## Mast assemblies

Sellick SEE-THRU® all-roller design. Two and three-stage available. Mast sideshift: 6" total.

## Carriages

ITA hook or shaft-type carriages equipped with 6 rollers and 4 side thrust rollers.

## Standard features

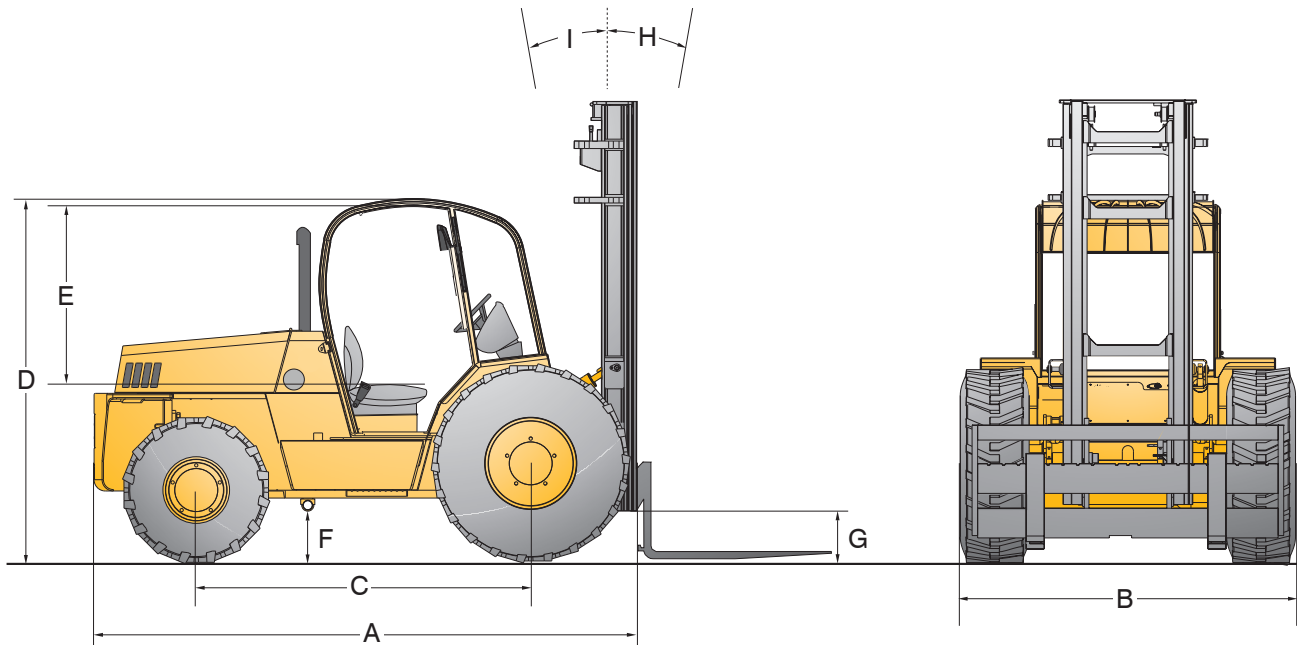
- Adjustable suspension seat
- Tilt steering column
- Retractable seatbelt
- Fuel/water separator
- Power assisted enclosed wet multi-disc brakes
- Load sense power steering
- Halogen lighting package includes two front and two rear adjustable worklights
- Safety lighting includes LED brake lights & amber warning light
- Backup alarm
- Automotive style park brake with neutral interlock
- Neutral safety start

## Optional Equipment

- Cab
- Air conditioning
- Hydraulic fork positioner
- Turn signals
- Mirrors
- AM/FM MP3 player



# TECHNICAL SPECIFICATIONS



	Ref.	S60	S80	S100	S120
Lift capacities @ 24 inch load center		6,000 lbs	8,000 lbs	10,000 lbs	12,000 lbs
Total weight <sup>2</sup>		14,855 lbs	16,235 lbs	19,245 lbs	20,915 lbs
Overall length (without forks)	A	149"/3,785 mm	150"/3,810 mm	152"/3,861 mm	159"/4,039 mm
Overall width	B		89"/2,261 mm		
Wheelbase	C		89"/2,261 mm		
Height to top of overhead guard (standard)	D		97"/2,464 mm		
Distance from seat to overhead guard (standard)	E		43"/1,092 mm		
Outside turning radius			178"/4,521 mm		183"/4,648 mm
Aisle width 90° stacking			266"/6,756 mm		271"/6,883 mm
Frame underclearance	F		15"/381 mm		
Mast underclearance	G		12"/305 mm		
Mast sideshift			6"/152 mm		
Mast tilt - forward	H		45°		
Mast tilt - rearward	I		12°		
Travel speed (standard)			19 mph		12 mph
Gradeability			25%		
Tire type & size (standard)		Drive (pneumatic) - 15.5 x 25 - 12 ply   Steer (pneumatic) - 14 x 17.5 - 14 ply			
Engine model		ECOMAX T4			
Cylinders		4			
Engine output (gross power)		74 hp @ 2,200 rpm			
Peak torque		295 ft. lbs @ 1,200 rpm			
Transmission type		Power reversing synchromesh			

*Because of our constant dedication to product improvement, all specifications are subject to change without notice.  
— All Sellick forklifts meet or exceed all ANSI/ITSDF B56.6-2016 safety standards —*

<sup>2</sup>Total weight with standard operator's platform, 144" 2-stage mast, and load backrest.





# Sellick

## Working for you

Built in the Sellick tradition of quality & reliability, the S Series is supported by a network of long-established material handling dealers that provide prompt parts and service. All Sellick products are backed by one of the best warranties in the business.

*All Sellick forklifts meet or exceed all ANSI/ITSDF B56.6-2016 safety standards.*

**SELICK**  
Sellick Equipment Limited  
P.O. Box 1000/358 Erie Street North  
Harrow, Ontario, Canada N0R 1G0  
519-738-2255 • sellick@mnsi.net  
Visit us at [www.sellickequipment.com](http://www.sellickequipment.com)



Sold & serviced by: